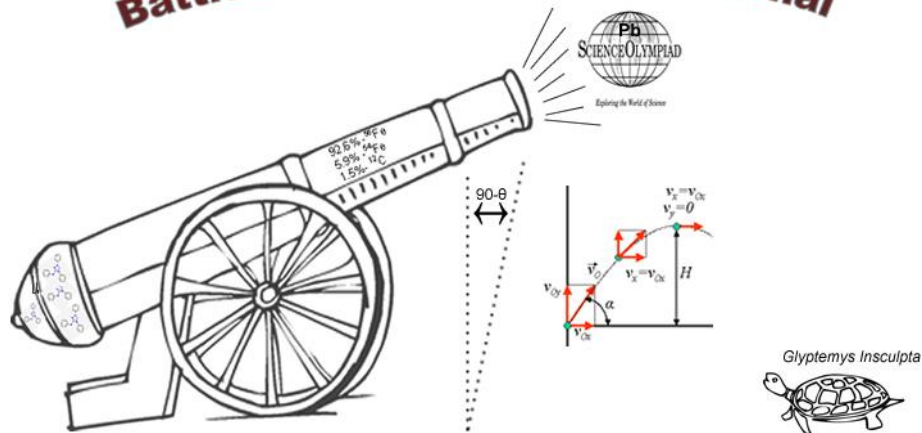


Conestoga High School Battle at Valley Forge Invitational



School:

Team #:

I, _____, principal of _____ High School, give Conestoga High School and the Battle at Valley Forge Invitational Tournament organizers permission to take photos or videos of all attendees from our school, including: students, coaches, and parents, and to use the photos so taken on the dates noted below for publicity purposes for either Conestoga High School or the Battle at Valley Forge Invitational.

By this authorization, I understand and agree that no participant shall receive remuneration and that all rights, title and interest to the photos and use of them belongs to Conestoga High School and the Battle at Valley Forge Invitational organizers.

I understand that it is my responsibility to inform all participants and their legal guardians of this agreement.

I also understand that members of the press may request interviews with attendees, and that the attendees have the right to decline such interviews. This agreement is in effect for January 11, 2014 for the Battle at Valley Forge Invitational Tournament being held at Conestoga High School.

Signature of School Principal

Date: _____